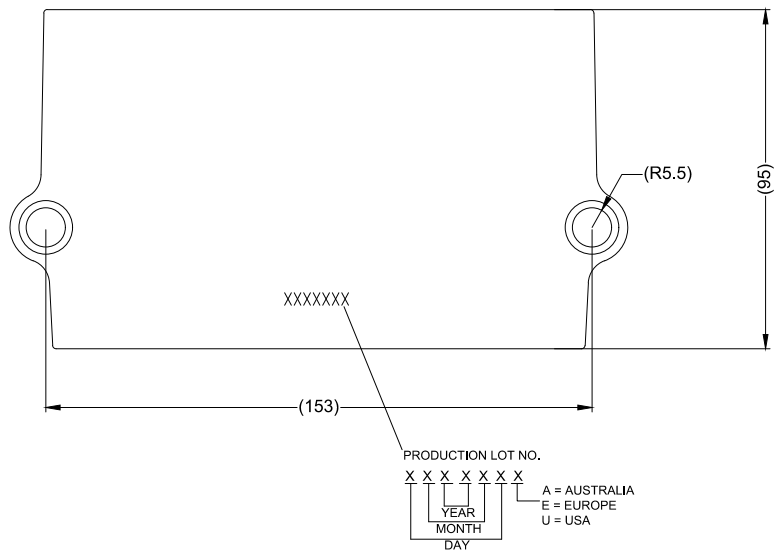
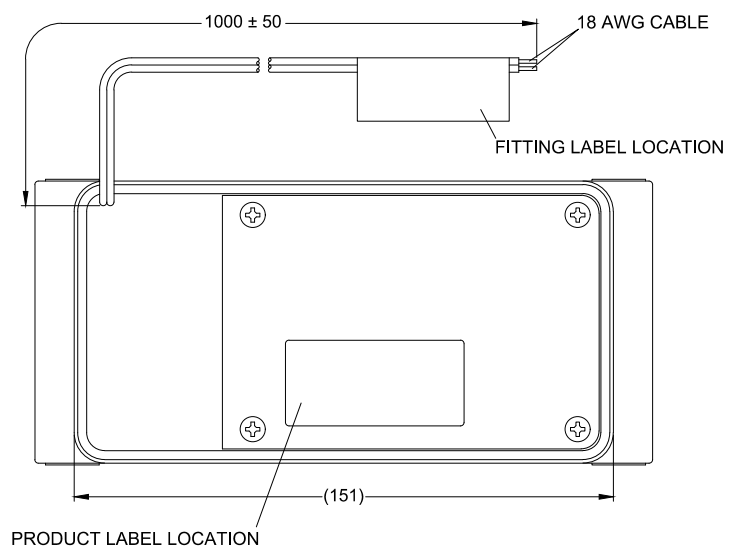
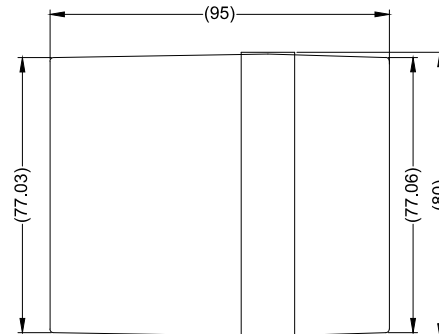
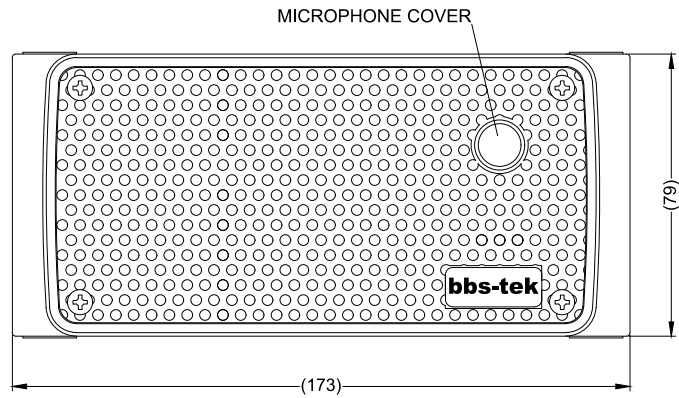


Revision Notes:				
R1 -				
APA:	Drawn:	Checked:	Approved:	Date:



PRODUCTION LOT NO.  
 X X X X X X X X  
 YEAR MONTH DAY  
 A = AUSTRALIA  
 E = EUROPE  
 U = USA

**SPECIFICATION:**

1. RATED VOLTAGE : 12-24 VOLTS DIRECT CURRENT (WORKING VOLTAGE RANGE 10THRU 32 VOLTS)
2. TEST VOLTAGE : 14-28 VOLTS DIRECT CURRENT
3. RATED CURRENT : 1 AMPERES OR LESS
4. SOUND PRESSURE AT TEST VOLTAGE : MAX 107±4dB(A) - MIN 87±4dB(A)
5. SOUND PRESSURE SELF-ADJUSTING : +5dB±4dB TO EXTERNAL NOISE
6. TONE:WHITE SOUND (BBS)
7. INTERMITTENCE:70±10 CYCLES PER MINUTE AT TEST VOLTAGES
8. ENVIRONMENTAL TESTS: SAE J994.

**NOTES:**

1. MATERIAL: NYLON 6 (G15% BLACK)
2. "R TRIANGLE" INDICATES CHANGES MADE TO REVISION OF DRAWING AS IDENTIFIED IN REVISION NOTES.
3. FOR PACKAGING & LABELLING DETAIL REFER TO THE LATEST REVISION OF THE MASTER BOM AND DRAWINGS.

**PROPRIETARY NOTICE**

THIS DESIGN AND TECHNICAL INFORMATION APPEARING ON THIS DRAWING IS THE PROPERTY OF BRIGADE ELECTRONICS, AND IS DISCLOSED IN CONFIDENCE. IT IS NOT TO BE COPIED, REPRODUCED, REVEALED TO OR EXPROPRIATED BY OTHERS, EITHER IN WHOLE OR IN PART WITHOUT THE EXPRESS WRITTEN CONSENT OF BRIGADE ELECTRONICS.



Assembly Pl Approval W. FUKUZAWA		Approved by A. KEBEDE		Checked by E. MATHEW		Drawn by J. YU	
Angle of Projection		Units mm	Scale N/A	Released 17/03/2025	Assembly Ref		
Third Angle		Status RELEASED	SA-BBS-107				
		Part No 14.00A	BE-005030-00-25				